

Instructions For Wood Surfaces

Use for model: PMA44-WD-LD-18

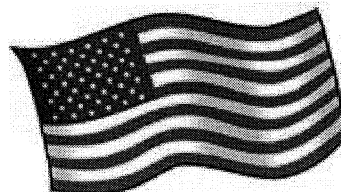
- 1.) Layout the locations for post.
- 2.) Take surface plate and use as a template, mark the four corner holes.
- 3.) A starter hole can be added at this time. (Using a ¼" size hole is recommended)
- 4.) Thickness of wood deck and reinforcement board underneath deck should be a minimum 2 ½".
- 5.) Next take the post mount and place over plate lining up the holes.
- 6.) Screw the (4) 5/16" – 18 x 1" leveling bolts into the four tapped holes, if needed adjust the bolts to straighten the post.
- 7.) Next take the (4) 5/16" –18 x 3" lag-bolt anchors and insert into holes located on the corners of the leveling plate. Begin tightening the lag-bolt anchors by rotating clockwise and applying pressure first few threads as the lag-bolt anchor begins to advance. Continue to tighten until the head of lag-bolt anchor is firmly seated. (Do not over tighten.)
- 8.) Slide post over the post mount until it seated. (Optional Base Trim is available.) The post sizing stabilizers will secure the post into its proper position.

Important Information Before You Start

These installation guidelines will direct you through the process of installing an Ultimount Post Mount System. Please keep in mind that they may not cover every installation scenario you may encounter. Since each installation is unique in its performance requirements, the ultimate installation method used is the sole responsibility of the installer.

American Way Manufacturing Post Mount Systems disclaims any liability or responsibility for the improper installation of this product. The purchaser is solely responsible for compliance with applicable local codes as to the deck's intended use. American Way Manufacturing recommends that all designs be reviewed by a licensed architect, engineer or local building official before installation. American Way Manufacturing provides, at www.americanwaymfg.com, independent laboratory results to assist in your planning process.

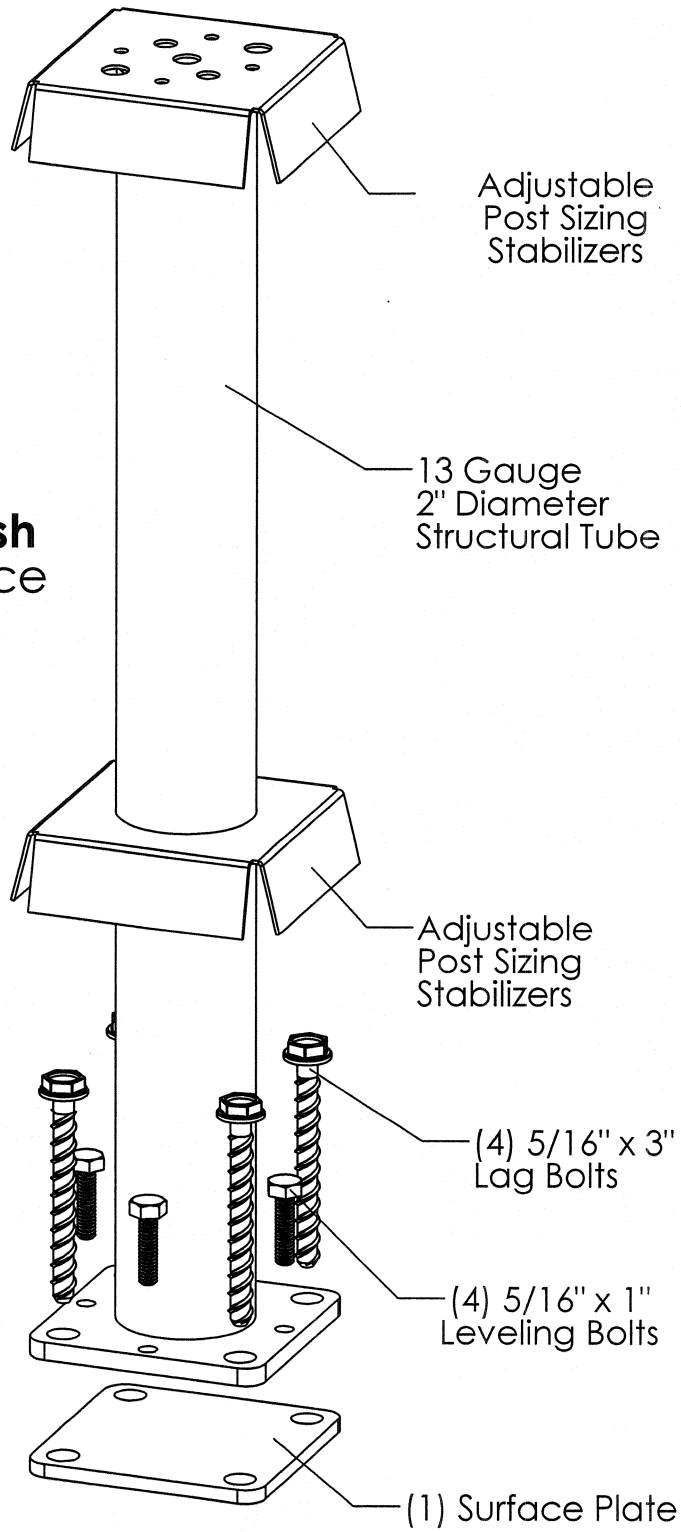
Made In



U.S.A.

ULTIMOUNT^{PATENTED} LD

E-Coat Protective Finish
for Lasting Performance



ULTIMOUNT^{PATENTED} LD

Wood Application