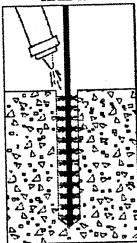
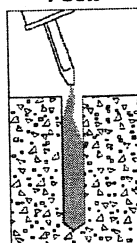


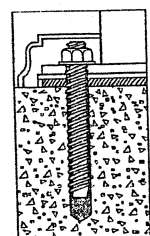
CLEAN



POUR

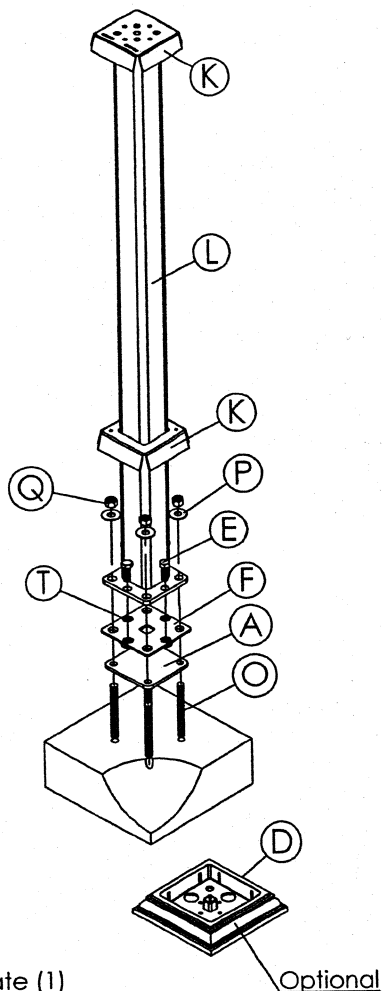


FASTEN



ULTIMOUNT PATENTED **HD**

4x4 HD or 5x5 HD
Post Mount
to Concrete



- A - Surface Plate (1)
- D - Base Trim Optional
- E - 5/16" x 1" Leveling Bolts (4)
- F - Leveling Insert (1)
- K - Post Stabilizer (2)
- L - 2x2 Square Tubing (1)
- O - 3/8" x 4-1/2" Threaded Rod (4)
- P - 3/8" Washers (4)
- Q - 3/8" Nuts (4)
- T - 5/16" Leveling Insert Nuts (4)

Optional



American Way Manufacturing, Inc.

Components for Building Excellence

1871 Henn Parkway
Lordstown, OH 44481
Toll Free 1-877-668-7678
www.americanwaymfg.com

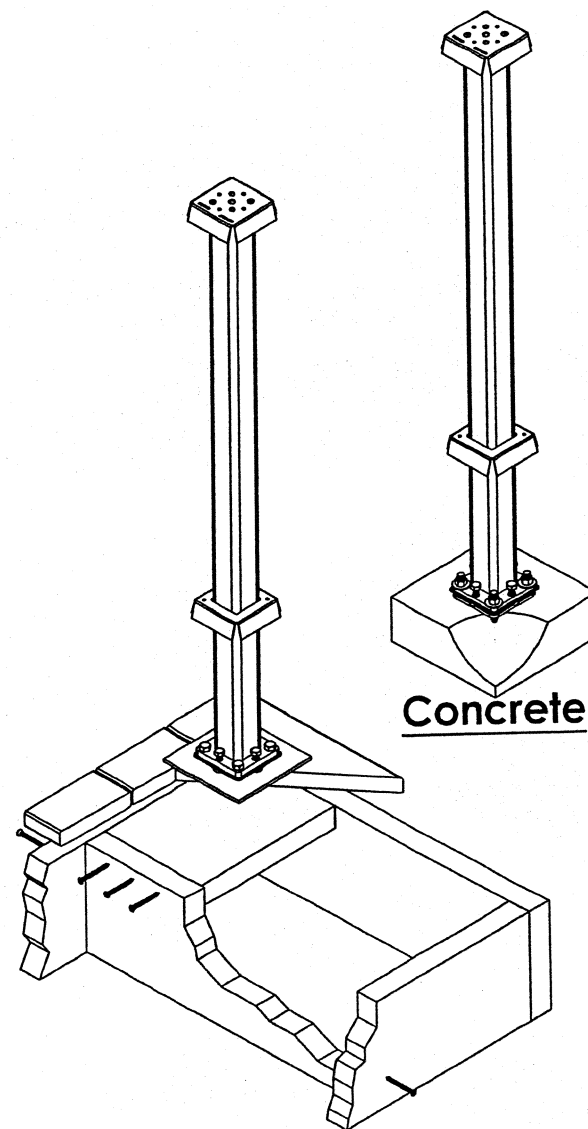


Made In



U.S.A.

ULTIMOUNT PATENTED **HD**



Concrete

Wood, Composite,
and Vinyl Decks

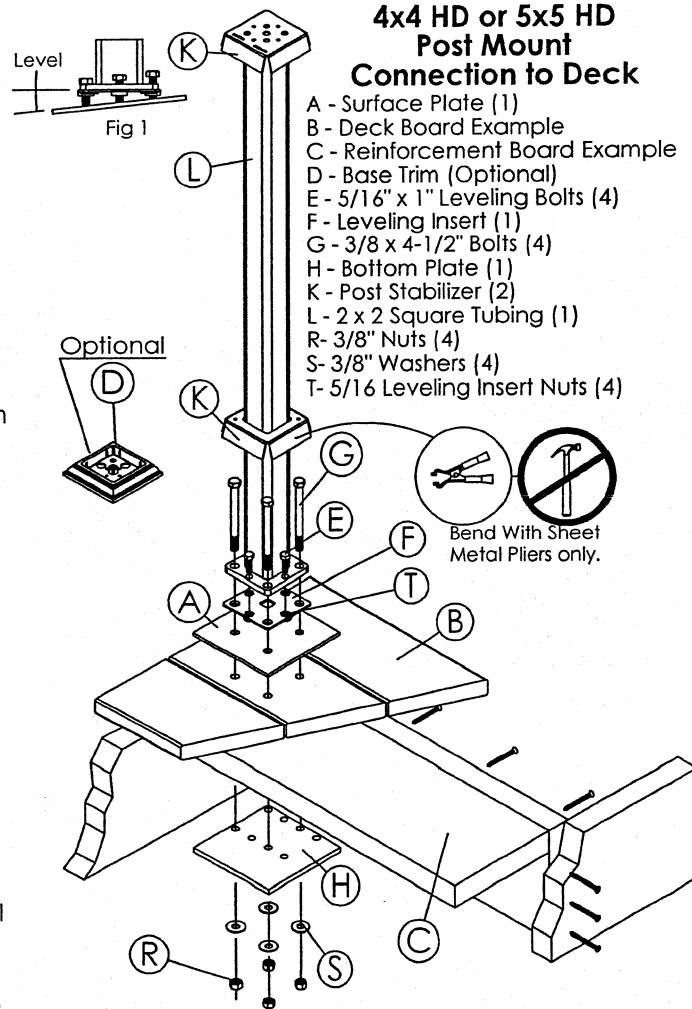
Item Code 70-INST. PMA44/55-HD

QMF 46 9/20/07

Instructions for Concrete Surfaces

Use for models: PMA44-CHD-36 / PMA55-CHD-36

- 1) Layout the locations for the post.
- 2) Take surface plate (A) and use as a template, mark the four corner holes for the (4) 3/8" x 4-1/2" threaded rod (O).
- 3) Drill the marked holes using a 7/16" masonry drill bit. Drill the hole into the concrete surface to a depth of 3-1/2". Thoroughly clean the holes of dust and debris.
- 4) It is recommended to use chemical anchoring epoxy (epoxy not included) with threaded rod (O) per ASTM standards.
*For information regarding chemical anchoring contact: Powers Fasteners at 800-524-3244.
- 5) Align the surface plate (A) over the threaded rods(O).
- 6) Position the optional base trim (D) over the top of the surface plate (A).
- 7) Take leveling insert (F) and (4) 5/16" nuts (T). Press nuts into hex shapes of leveling insert (F). Align over holes of optional base trim (D) and surface plate (A)
- 8) Take the post mount and place it into the optional base trim (D) and over the threaded rods (O).
- 9) Take four washers (P) and place one on each threaded rod (O), then put nuts (Q) on threaded rod (O). Hand tighten nuts (Q) to allow leveling of the post.
- 10) Screw the (4) 5/16 x 1" leveling bolts (E) into the (4) 5/16" nuts pressed into leveling plate (F). Adjust the leveling bolts (E) to straighten the post. (See Figure 1) After post has been leveled, tighten nuts (Q). (Do not over tighten)
- 11) Slide post Jacket (not included) over the post mount until it seats into the optional base trim (D) or meets the deck surface. The post stabilizers (K) will secure the post into its proper position.



Important Information Before You Start

These installation guidelines will direct you through the process of installing a UliMount Post Mount System. Please keep in mind that they may not cover every installation scenario you may encounter. Since each installation is unique in its performance requirements, the ultimate installation method used is the sole responsibility of the installer. American Way Manufacturing Post Mount Systems disclaims any liability or responsibility for the improper installation of this product. The purchaser is solely responsible for compliance with applicable local codes as to the deck's intended use. American Way Manufacturing recommends that all designs be reviewed by a licensed architect, engineer or local building official before installation. American Way Manufacturing provides, at www.americanwaymfg.com, independent laboratory results to assist in your planning process.

Instructions for Wood, Composite and Vinyl Decks

Use for models: PMA44-WHD-36 / PMA55-WHD-36

- 1) Layout the locations for the post.
- 2) Take surface plate (A) and use as a template, mark the four corner holes.
- 3) Thickness of wood deck and reinforcement board underneath deck should be a minimum 2-1/2".
- 4) Drill four 7/16" holes through the marked holes, drilling through the deck board (B) and the reinforcement board (C).
- 5) Align the surface plate (A) over the drilled holes.
- 6) Position the optional base trim (D) over the top of the surface plate.
- 7) Take leveling insert (F) and (4) 5/16" nuts (T). Press nuts into hex shapes of leveling insert (F). Align over holes of optional base trim (D) and surface plate (A)
- 8) Take the post mount and place it into the optional base trim (D) lining up the holes.
- 9) Next insert the (4) 5/16" x 4-1/2" bolts (G) into the drilled 7/16" holes.
- 10) Take bottom plate (H) and line up with bolts under the deck as shown in diagram. Add (4) washers (S) and (4) nuts (R). Hand tighten nuts (R) to allow leveling of the post.
- 11) Screw the (4) 5/16 x 1" leveling bolts (E) into the (4) 5/16" nuts pressed into leveling plate (F). Adjust the leveling bolts (E) to straighten the post. (See Figure 1) After post has been leveled, tighten nuts (R). (Do not over tighten)
- 12) Slide post Jacket (not included) over the post mount until it seats into the optional base trim (D) or meets the deck surface. The post stabilizers (K) will secure the post into its proper position.